



Certificate Number 13291
ISO 9001



www.jcmload.com

+44(0)1224 870765

sales@jcmload.com

Let us Take the Load

Silo Weighing Systems

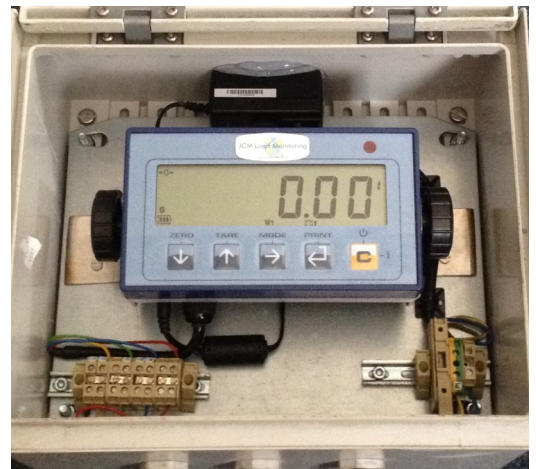
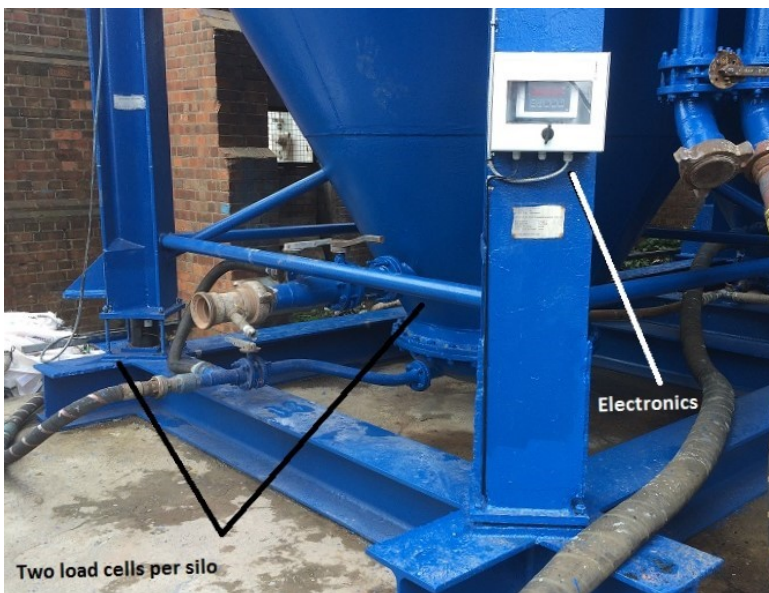


Our silo weighing system has been put together to enable easy onsite installation, it is pre-calibrated on our certified load test bed eliminating costly onsite transfer of bulk powder.

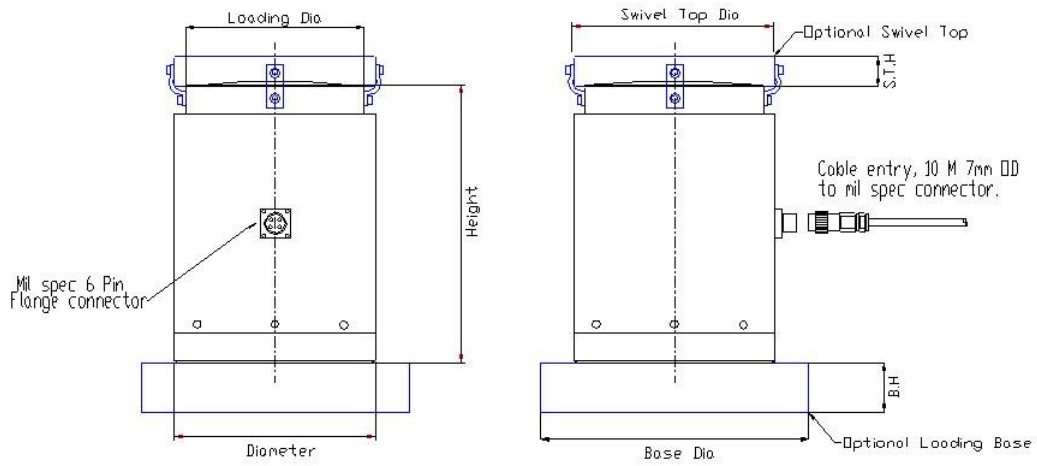
The selection of stainless steel eliminates onsite corrosion problems and this allied to our high level of environmental sealing allows us to offer a product which will not only offer high levels of accuracy but will also stand up to the harsh dockside environment.

Features:

- Stainless steel load cell
- Sealing to IP68
- Plug/socket cable connection
- Bright large digit display
- Pre-calibrated on our in house test machine
- Site installation service
- Electronic enclosure
- IP65



Silo Weighing Systems



Cell Type	Height	Diameter	Swivel Top Cap Height
10 Tonne	83	75	20
20 Tonne	83	75	20
50 Tonne	127	100	41
100 Tonne	150	100	20
200 Tonne	180	127	30
300 Tonne	180	150	30
400 Tonne	180	150	38
500 Tonne	300	203	50
1000 Tonne	425	290	50
1500 Tonne	490	350	75

All dimensions in mm
Please confirm any critical dimension before ordering